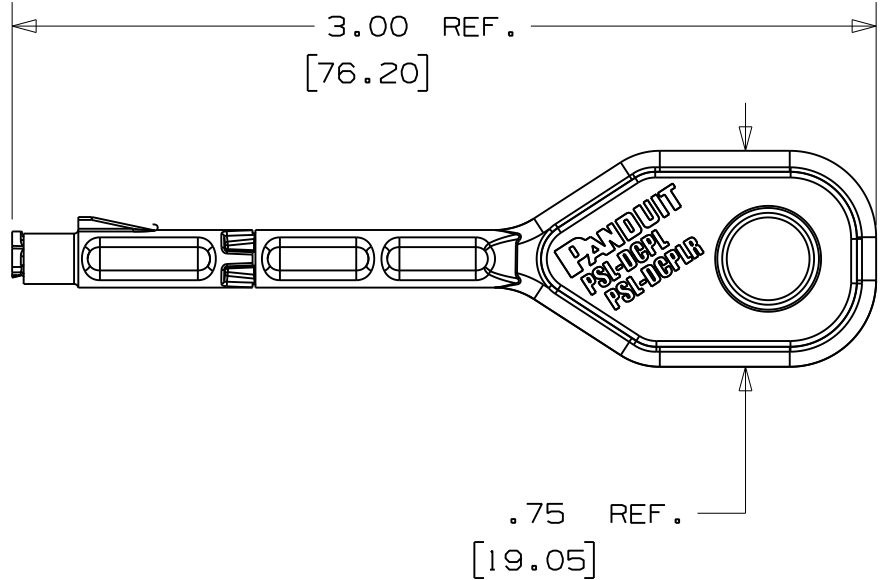
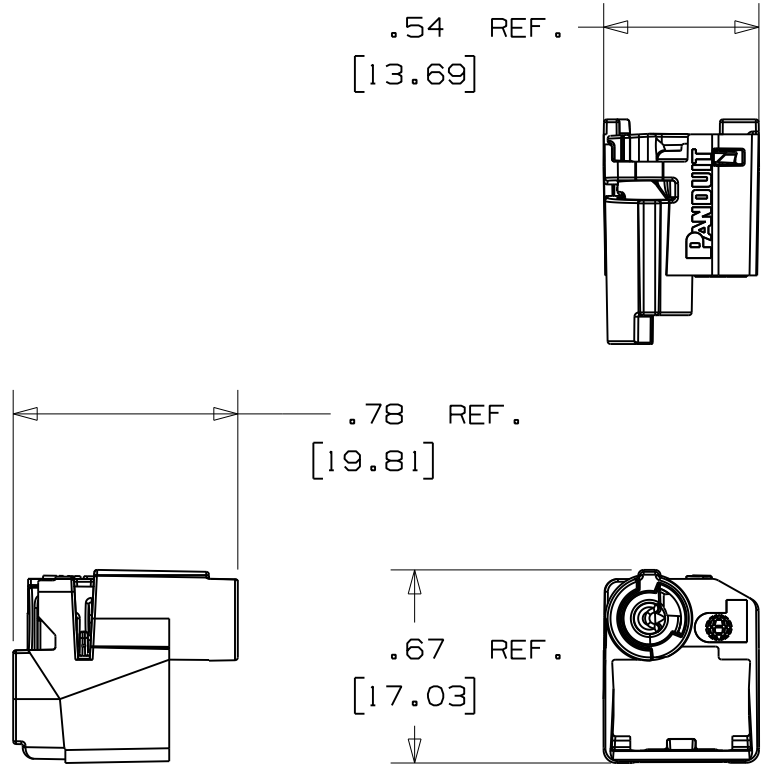


THIS COPY IS PROVIDED ON A RESTRICTED BASIS AND IS NOT TO BE USED IN ANY WAY DETRIMENTAL TO THE INTERESTS OF PANDUIT CORP.



PSL - DCPLR

KEY

CAD FILENAME/LAYERS 100913AD\_C10743\_DCPLR\_01.prt

PANDUIT CORP. TINLEY PARK, ILLINOIS

PSL - DCPLR  
CUSTOMER DRAWING

UNLESS OTHERWISE SPECIFIED,  
DIMENSIONAL TOLERANCES ARE:  
(.X) ± .05    (.XXX) ± .010  
(.XX) ± .02    ANGLES ± 2°

UNLESS OTHERWISE SPECIFIED,  
ALL DIMENSIONS ARE GIVEN  
IN INCHES, THIRD ANGLE PROJECTION.

DRAWN BY  
MROB

MAT'L:  
LOCK-IN  
POLYCARBONATE  
KEY  
10% GF NYLON

SCALE  
1.5 : 1

REV	DATE	BY	CHK	DESCRIPTION	ECN	R	CUST	SUP
0	09/17/08	MROB		DRAWING RELEASED	5552	D		

DATE  
09/17/08

DRAWING NO.  
C10743

DWG  
A  
SIZE